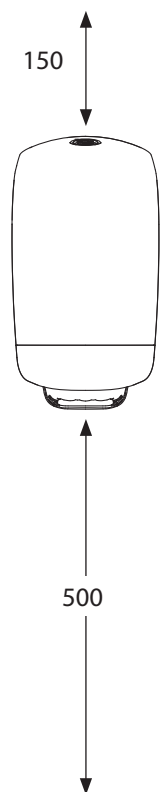
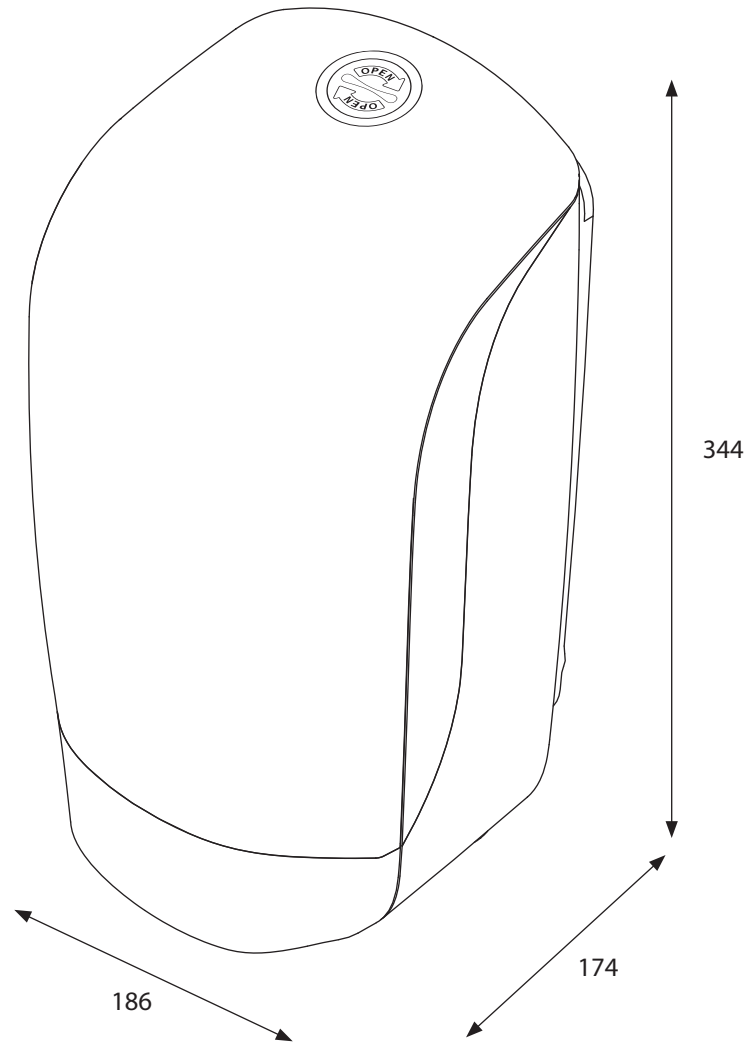


Katrin Centre Feed S Dispenser



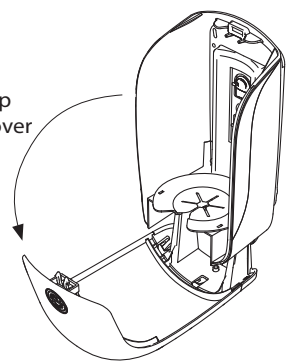
Open with key
(Position – key needed and turn right)



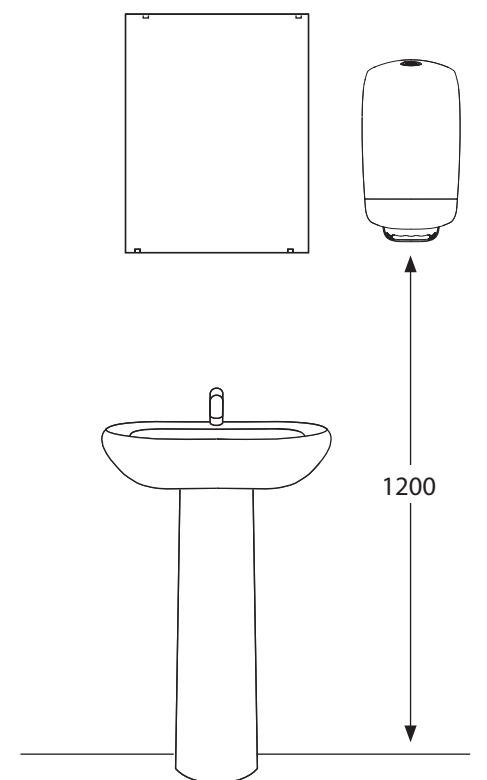
Easy opening
(Position – turn left with key once,
then no key needed to open dispenser)



Push on top
and pull cover
to open



360



INSTALLATION GUIDE KATRIN CENTERFEED S DISPENSER

SCALE 1:1

